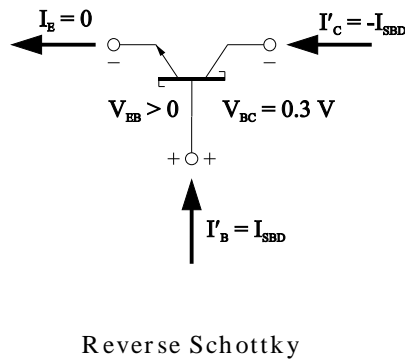
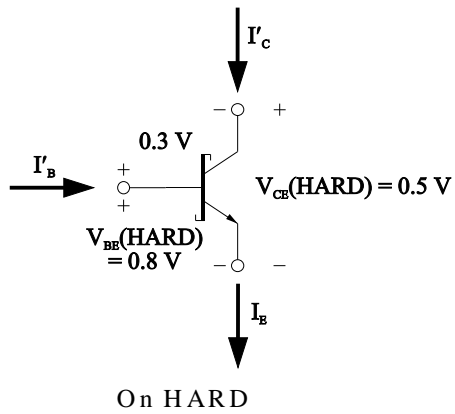


SCHOTTKY TRANSISTOR TRANSISTOR LOGIC CIRCUITS(STTL) Continued

Modes of Operation for SBJT

- 1) OFF
- 2) FA
- 3) On Hard
- 4) Reverse Schottky



STTL NAND Gate

