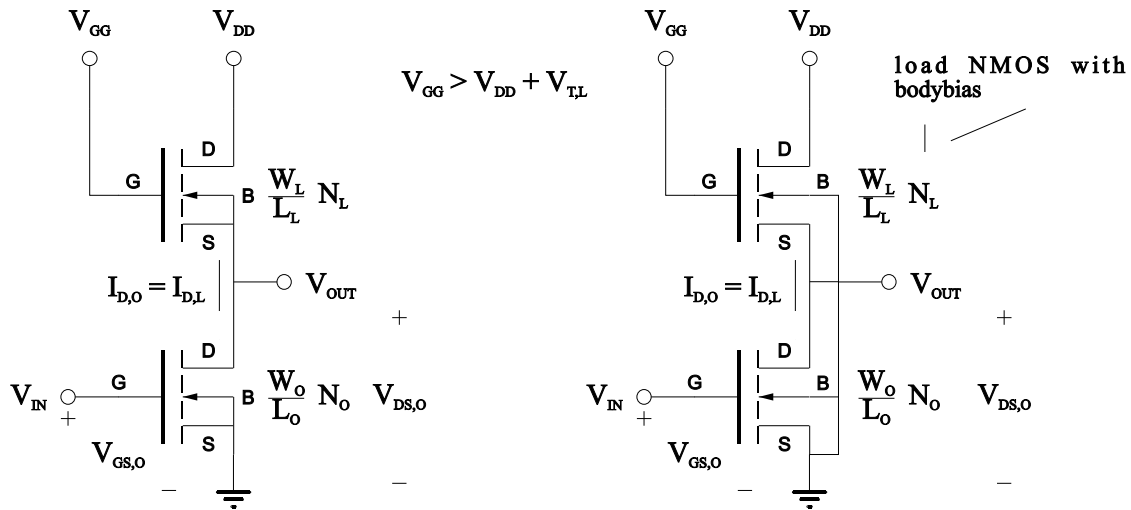


NMOS Inverter with Linear E - O Load

Basic Inverter



IV Characteristics

