

Figure 23.18

The resistors R_1 , R_2 , R_3 and R_4 are all associated with base regions having largest magnitudes.

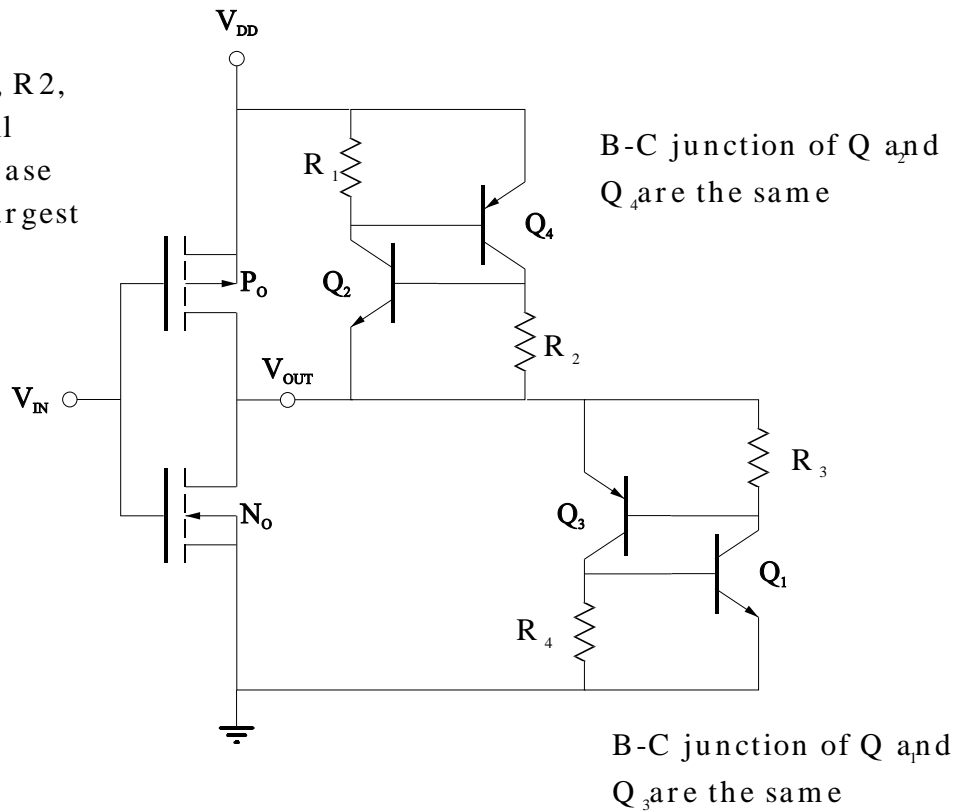


Figure 23.19