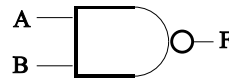
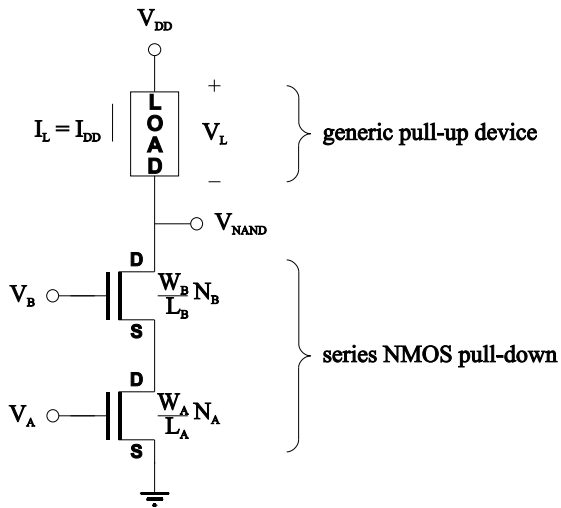
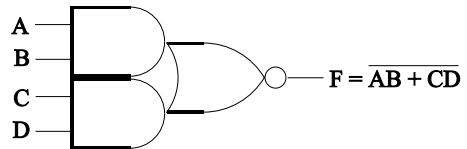
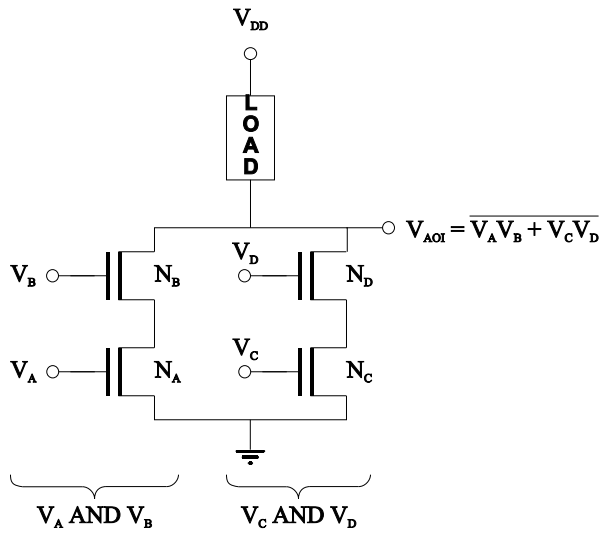


NAND Gate



AND - OR - INVERT Gate



Exclusive OR/NOR

