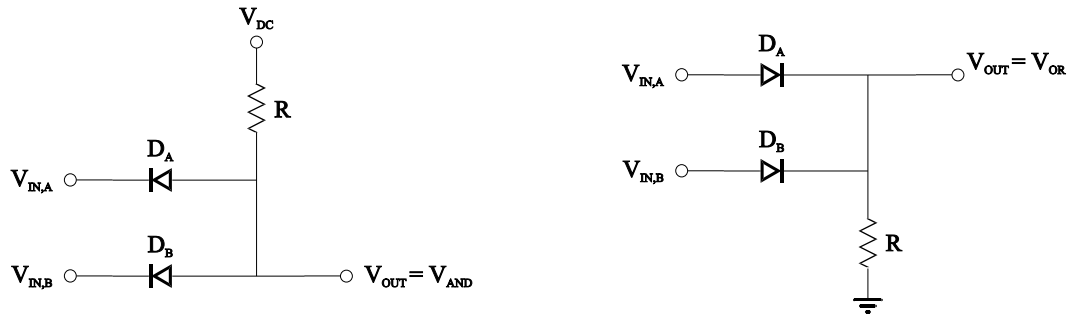
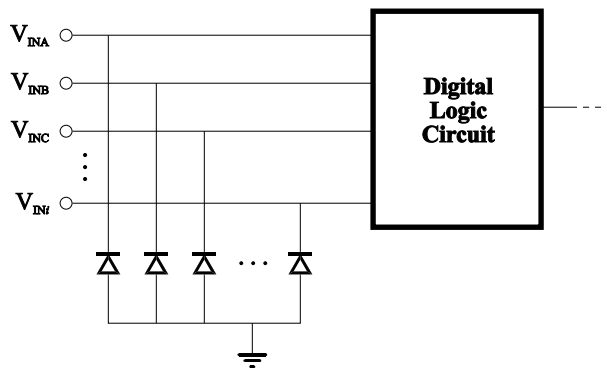


Digital Logic Circuit Applications of Diodes

Basic Logic Gates



Clamping Diodes



Level Shifting Diodes

