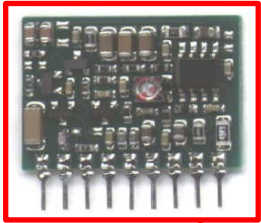


Parallel development of preamps for the triplet polarimeter

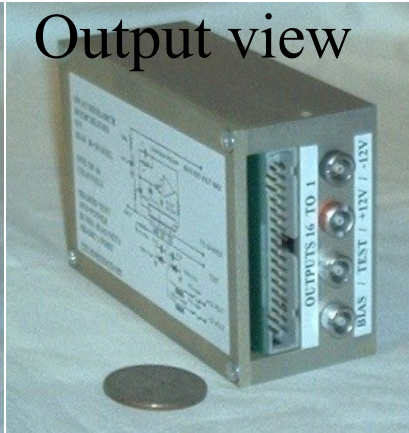
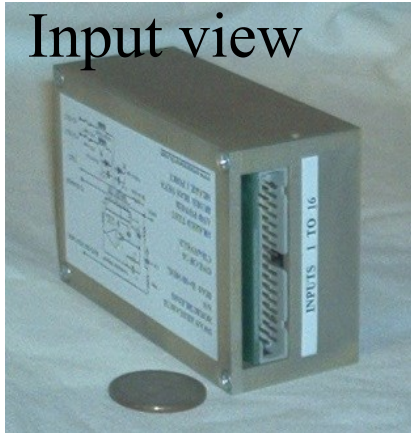
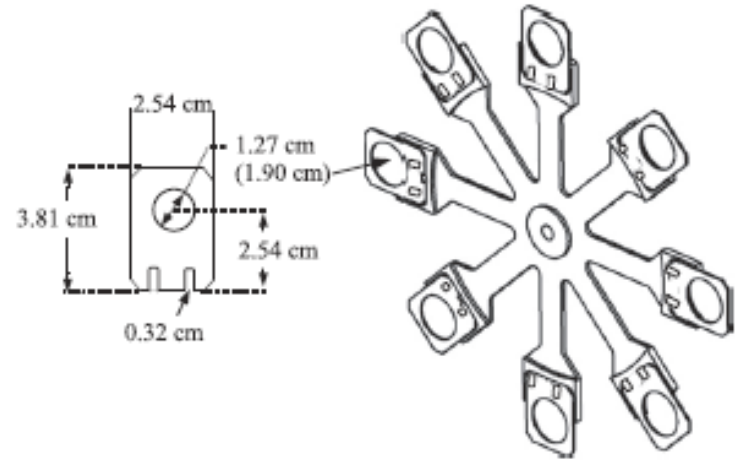
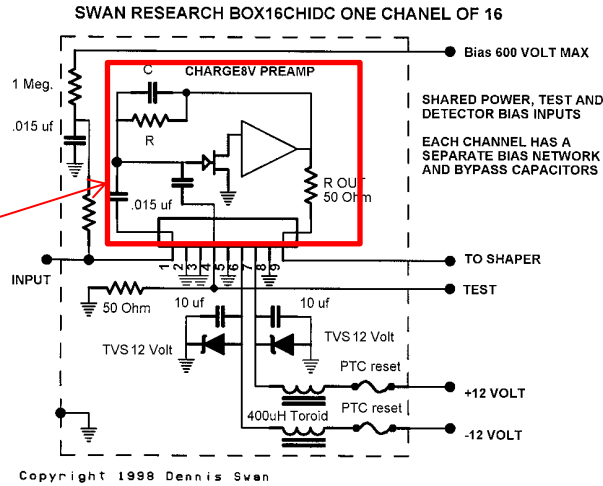
Michael Dugger*
Arizona State University

Alternative preamps

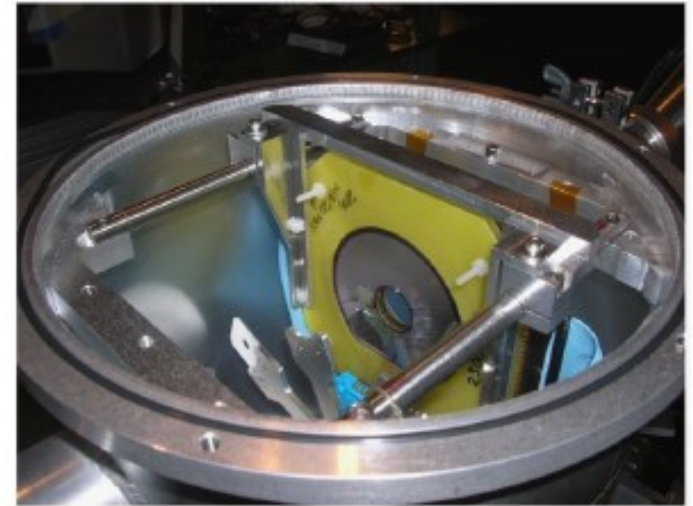
The STARS detector uses Micron S2 with swan research preamps



Preamp hybrid



16 channel box



Swan preamps

- Amplification: 160 mV/MeV
- Rise time: ~ 50 ns
- Noise ($C \sim 100$ pF): 3.3 keV
- Cost of one box of 16 preamps: \$1740
- Currently in process of obtaining the preamps and designing the Faraday enclosure

